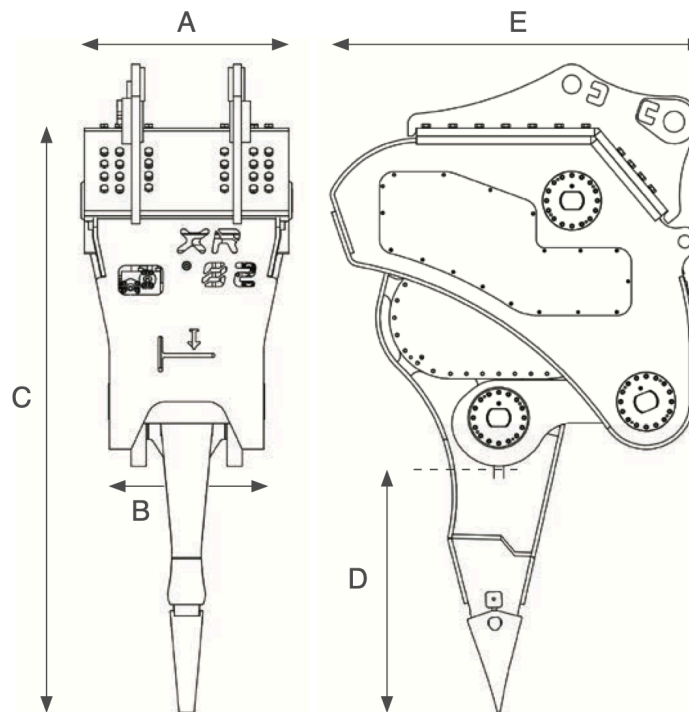




XR 52



TECHNICAL SPECIFICATIONS		XR52
Excavator weight	Tons	40 - 55
Ripper operating weight (incl. top bracket)	kg	5.305
Ripper operating weight (top bracket not included)	kg	4.590
Hydraulic working pressure	MPa	28
Hydraulic oil flow	L/min	270
Frecuency	1/min	1.100



XR52	
A	960
B	630
C	3.000
D	1.315
E	1.830

* Dimensions in millimeters.

XCENTRIC RIPPER INTERNATIONAL, S.L.

Arriurdina, 15 · 01015 Vitoria-Gasteiz (Spain) · Tel.: +34 945 290 555

www.xcentricripper.com