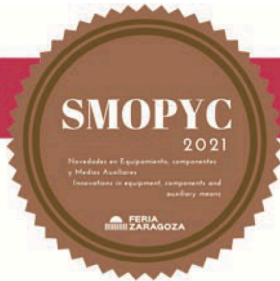


«SMOPYC BRONZE AWARD 2021»

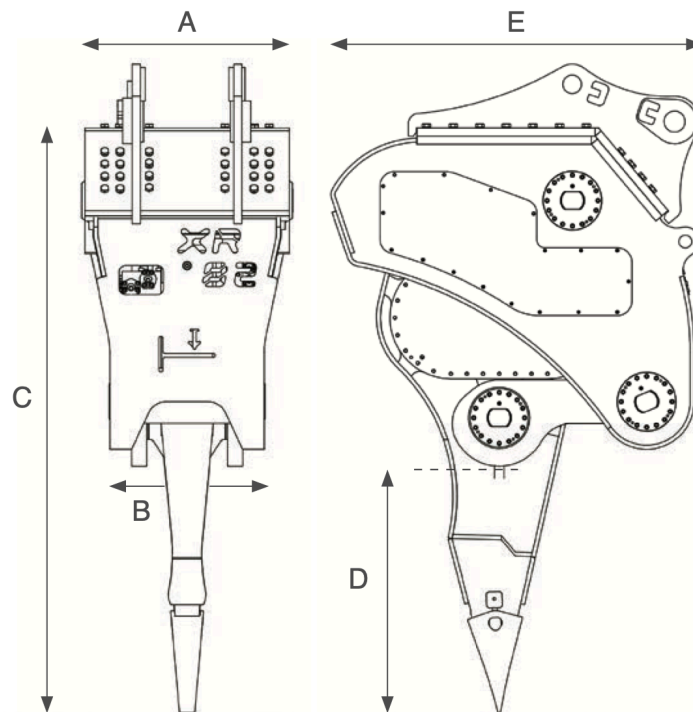
NOVEDADES EN EQUIPAMIENTO, COMPONENTES Y MEDIOS AUXILIARES
 INNOVATIONS IN EQUIPMENT, COMPONENTS AND AUXILIARY MEANS



XR 122



TECHNICAL SPECIFICATIONS		XR122
Excavator weight	Tons	100 - 140
Ripper operating weight (incl. top bracket)	kg	15.950
Ripper operating weight (top bracket not included)	kg	14.000
Hydraulic working pressure	MPa	30
Hydraulic oil flow	L/min	520
Frecuency	1/min	600



XR122	
A	1.270
B	1.080
C	4.150
D	1.780
E	2.600

* Dimensions in millimeters.

XCENTRIC RIPPER INTERNATIONAL, S.L.

Arriurdina, 15 · 01015 Vitoria-Gasteiz (Spain) · Tel.: +34 945 290 555

www.xcentricripper.com